

# Accessories

## ▶ TRA-L-LAS-TB-...

Mounting rail for through-beam laser line sensors  
(transmitter and receiver) of type

L-LAS-TB-50 (-T/-R)

L-LAS-TB-75 (-T/-R)

L-LAS-TB-100 (-T/-R)

GLAST-135-0°-...

- Various lengths available (400 mm to 1800 mm)
- Transmitter/receiver distance variable depending on the sensor model
- Optimal alignment of the transmitter and receiver by means of slotted holes
- Mounting holes for fixing transmitter and receiver and for mounting the light barrier
- Sturdy material (aluminum, black anodized)



## Design

### Product name:

**TRA-L-LAS-TB-L100** (Total length of mounting rail 400 mm, distance transmitter/receiver max. 100 mm, depending on the sensor model)

**TRA-L-LAS-TB-L200** (Total length of mounting rail 500 mm, distance transmitter/receiver max. 200 mm, depending on the sensor model)

**TRA-L-LAS-TB-L300** (Total length of mounting rail 600 mm, distance transmitter/receiver max. 300 mm, depending on the sensor model)

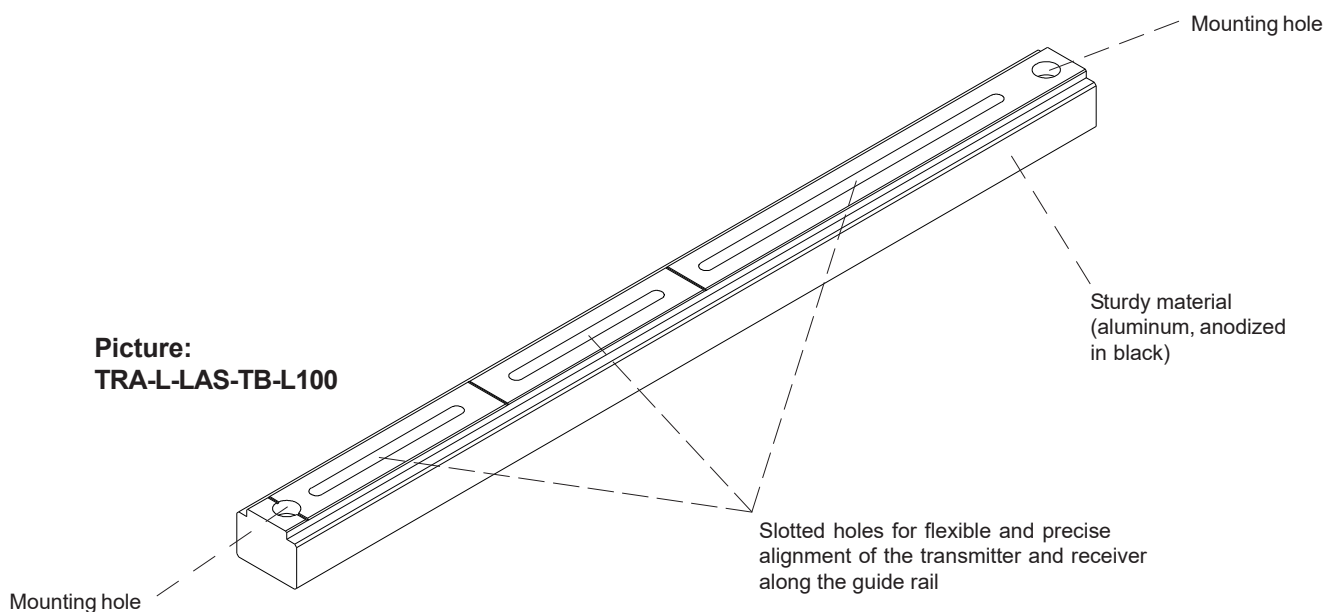
**TRA-L-LAS-TB-L400** (Total length of mounting rail 700 mm, distance transmitter/receiver max. 400 mm, depending on the sensor model)

**TRA-L-LAS-TB-L500** (Total length of mounting rail 800 mm, distance transmitter/receiver max. 500 mm, depending on the sensor model)

**TRA-L-LAS-TB-L1000** (Total length of mounting rail 1300 mm, distance transmitter/receiver max. 1000 mm, depending on the sensor model)

**TRA-L-LAS-TB-L1500** (Total length of mounting rail 1800 mm, distance transmitter/receiver max. 1500 mm, depending on the sensor model)

Picture:  
TRA-L-LAS-TB-L100

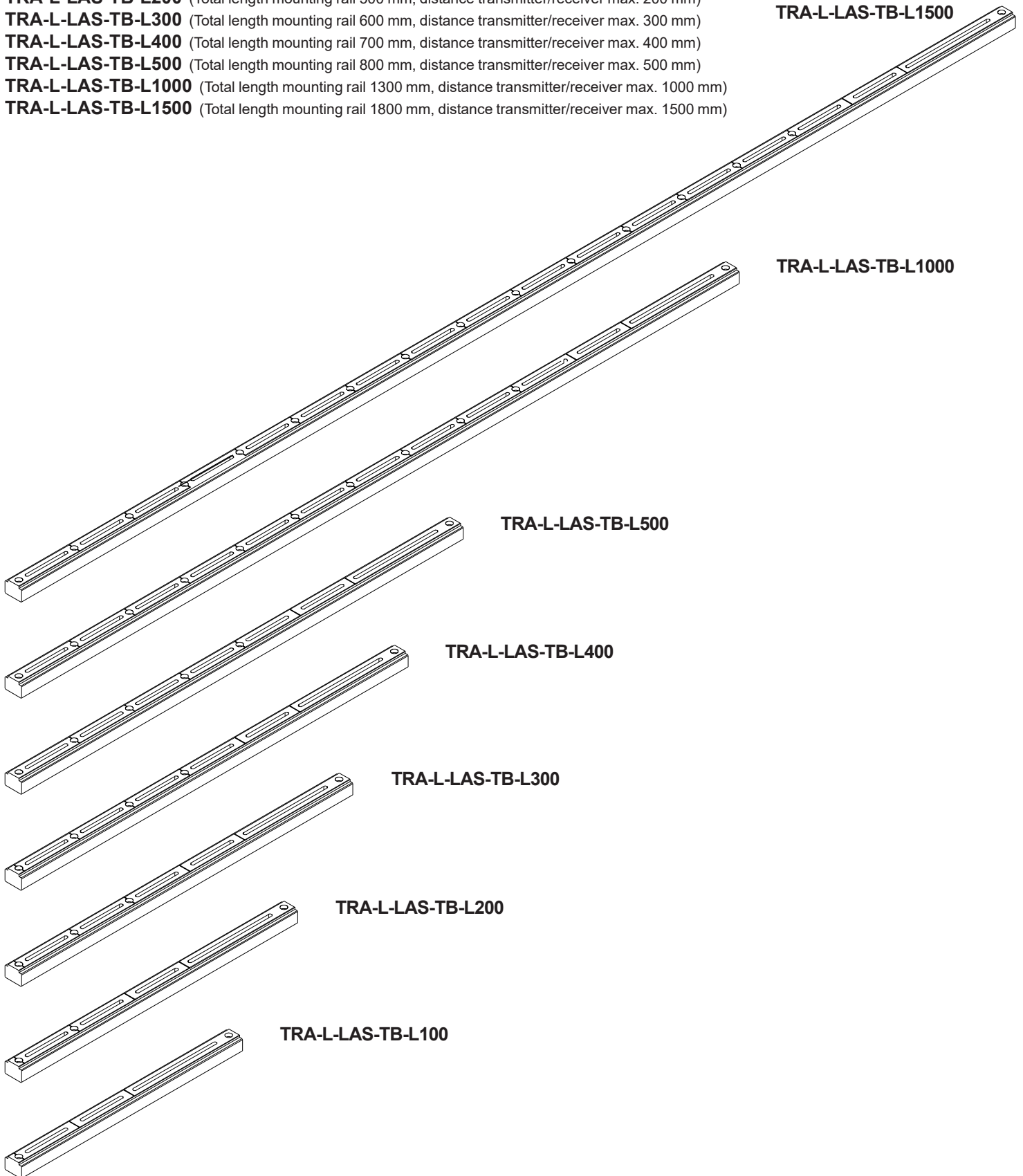






**Various Lengths**

- TRA-L-LAS-TB-L100** (Total length mounting rail 400 mm, distance transmitter/receiver max. 100 mm)
- TRA-L-LAS-TB-L200** (Total length mounting rail 500 mm, distance transmitter/receiver max. 200 mm)
- TRA-L-LAS-TB-L300** (Total length mounting rail 600 mm, distance transmitter/receiver max. 300 mm)
- TRA-L-LAS-TB-L400** (Total length mounting rail 700 mm, distance transmitter/receiver max. 400 mm)
- TRA-L-LAS-TB-L500** (Total length mounting rail 800 mm, distance transmitter/receiver max. 500 mm)
- TRA-L-LAS-TB-L1000** (Total length mounting rail 1300 mm, distance transmitter/receiver max. 1000 mm)
- TRA-L-LAS-TB-L1500** (Total length mounting rail 1800 mm, distance transmitter/receiver max. 1500 mm)



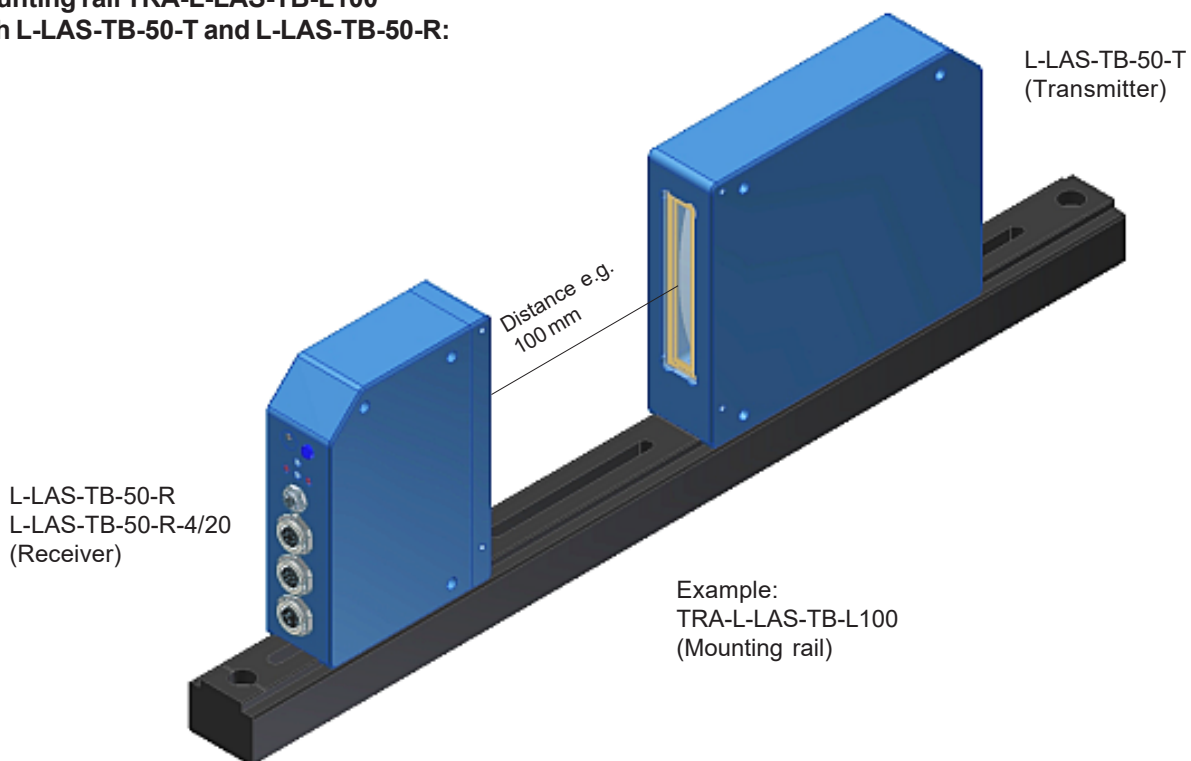


## Mounting Examples

### Available mounting rails:

- TRA-L-LAS-TB-L100** (Total length mounting rail 400 mm, distance transmitter/receiver max. 100 mm, depending on the sensor model)
- TRA-L-LAS-TB-L200** (Total length mounting rail 500 mm, distance transmitter/receiver max. 200 mm, depending on the sensor model)
- TRA-L-LAS-TB-L300** (Total length mounting rail 600 mm, distance transmitter/receiver max. 300 mm, depending on the sensor model)
- TRA-L-LAS-TB-L400** (Total length mounting rail 700 mm, distance transmitter/receiver max. 400 mm, depending on the sensor model)
- TRA-L-LAS-TB-L500** (Total length mounting rail 800 mm, distance transmitter/receiver max. 500 mm, depending on the sensor model)
- TRA-L-LAS-TB-L1000** (Total length mounting rail 1300 mm, distance transmitter/receiver max. 1000 mm, depending on the sensor model)
- TRA-L-LAS-TB-L1500** (Total length mounting rail 1800 mm, distance transmitter/receiver max. 1500 mm, depending on the sensor model)

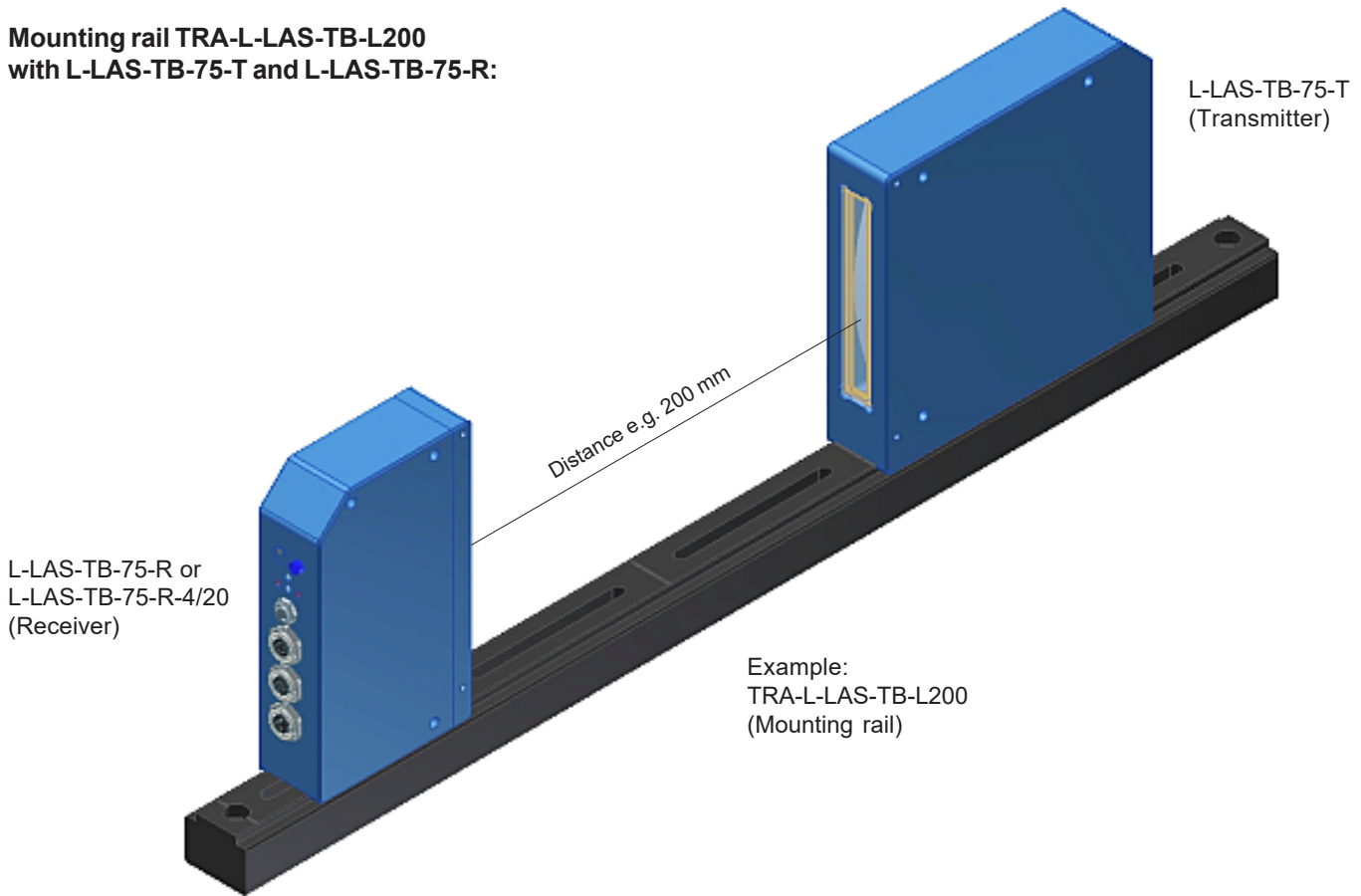
### Mounting rail TRA-L-LAS-TB-L100 with L-LAS-TB-50-T and L-LAS-TB-50-R:



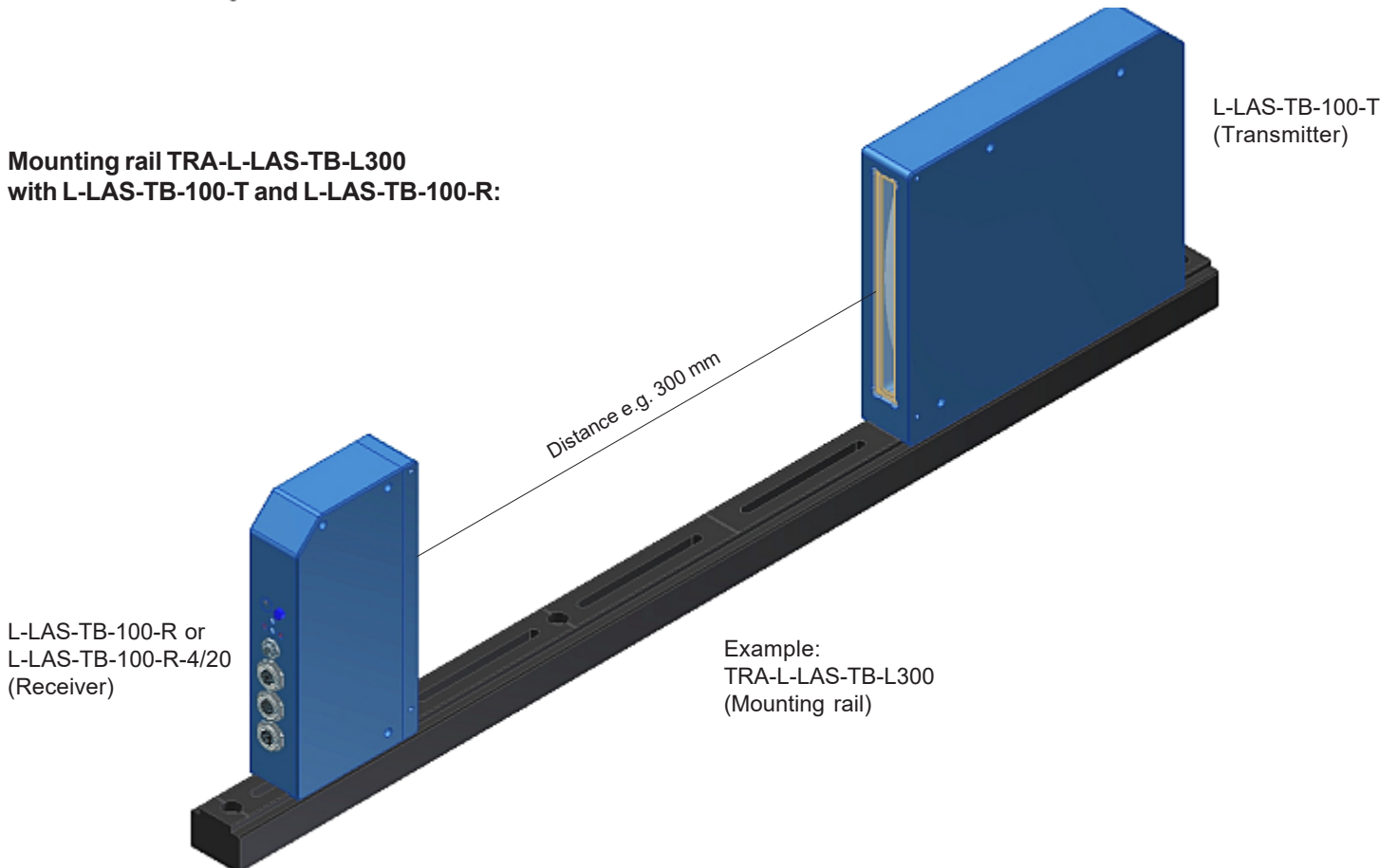


Mounting Example

Mounting rail TRA-L-LAS-TB-L200  
with L-LAS-TB-75-T and L-LAS-TB-75-R:



Mounting rail TRA-L-LAS-TB-L300  
with L-LAS-TB-100-T and L-LAS-TB-100-R:





Mounting Example

GLAST-135-0° with two mounting rails TRA-L-LAS-TB-L300

